



CONSTRUCTION BLOCK

Revised: September 2014

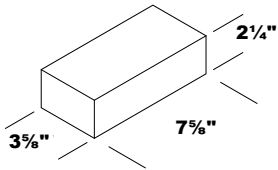
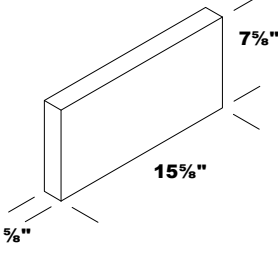
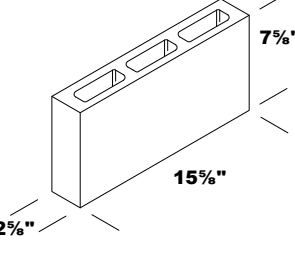
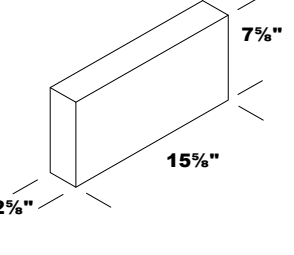
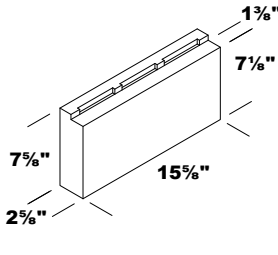
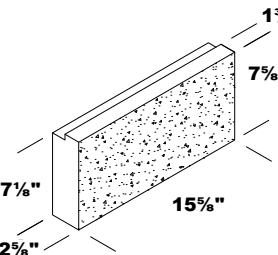
General Information



Midwest Manufacturing wants to be your one-stop supplier for construction blocks. The blocks listed in this program are the most commonly used shapes and styles in the masonry industry. We offer everything from stretchers to bond beams to bullnose and we offer these shapes in many different sizes as well. If there is something you need that is not listed in this program, please contact us.

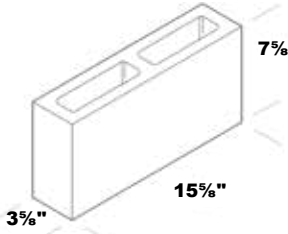
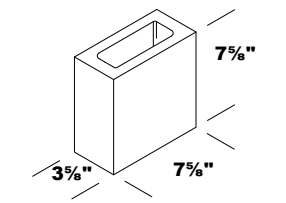
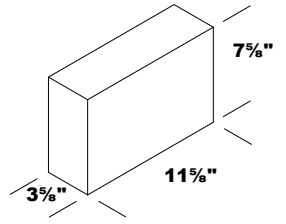
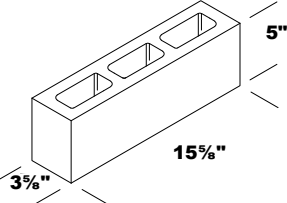
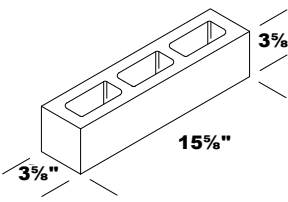
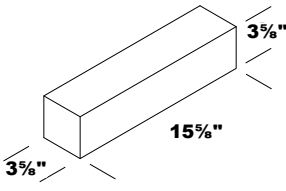
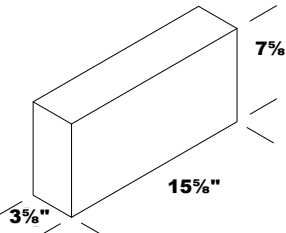
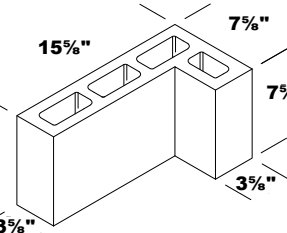
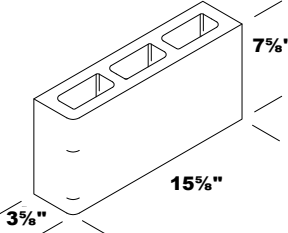
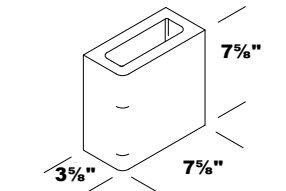
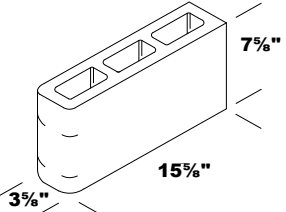
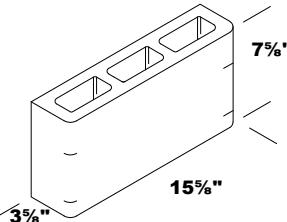
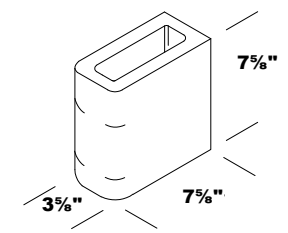
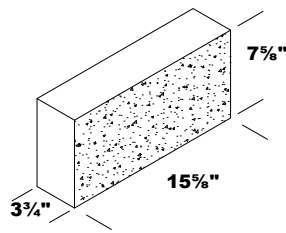
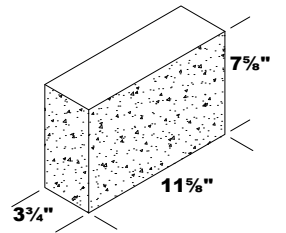
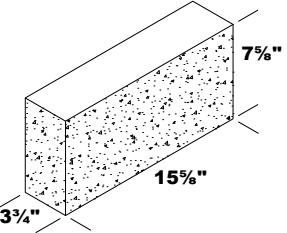
- Block descriptions vary from region to region, therefore they can become confusing. To overcome this, we have included line illustrations with our descriptions and sku information to give a better idea of what the blocks look like. Actual blocks may vary slightly in shape. All dimensions are nominal.
- Not all block is immediately available. Certain shapes have longer lead times. Please note indicators next to the skus for approximate lead times. Blocks without an indicated lead time are in stock and available immediately.
 - * Lead time 2 weeks
 - ** Lead time 3 weeks
- All colors, including standard gray, vary slightly from run to run. Therefore color matching can not be guaranteed. All shapes and skus listed in this program are standard gray color unless otherwise indicated. Some of our shapes are also available in Tan. If you would like to request a color other than what is listed in this program, please contact us for special order pricing.
- ASTM specifications are available upon request and also available on our web site.
- MSDS information is available upon request.

SIZES: 2 & 3"

| | | | |
|--|---|--|---|
| <p>2" Common Brick</p>  <p>Concrete: 179-6199 *</p> | <p>2" Solid/Soap</p>  <p>Concrete: 179-6200 * Lightweight: 179-6201 *</p> | <p>3" Regular</p>  <p>Concrete: 179-6350 **</p> | <p>3" Solid</p>  <p>Concrete: 179-6351 **</p> |
| <p>3" Cored Lipped Block</p>  <p>Concrete: 179-6352 **</p> | <p>3" Solid Lipped Splitface Block</p>  <p>Concrete: 179-6353*</p> | | |

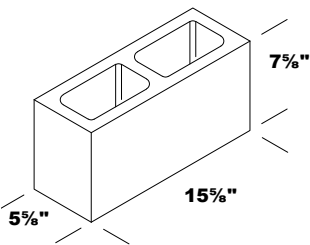
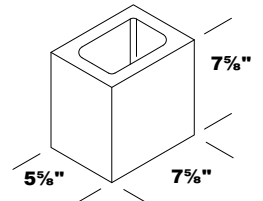
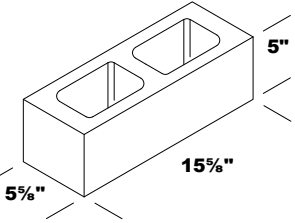
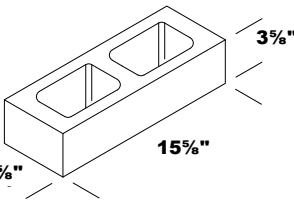
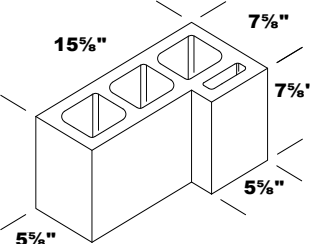
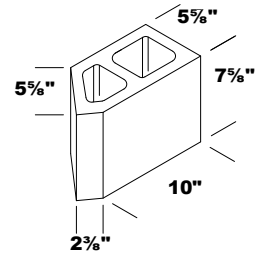
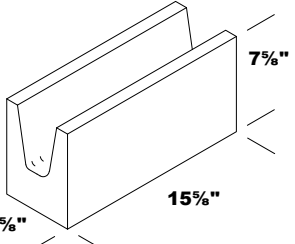
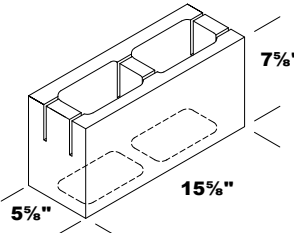
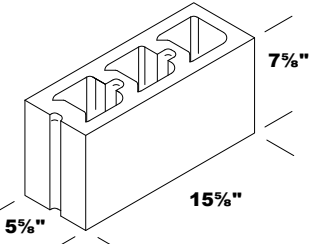
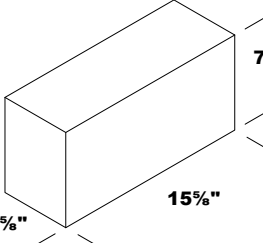
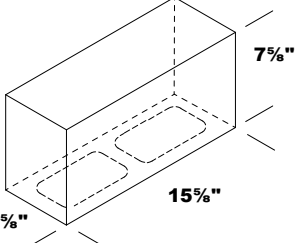
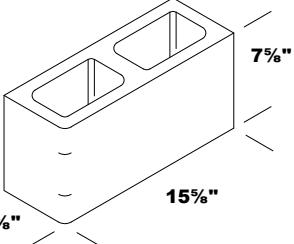
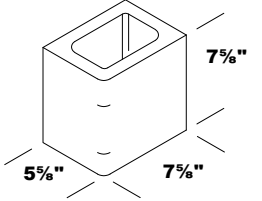
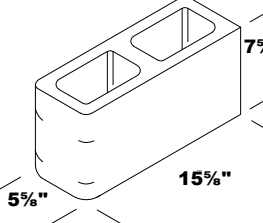
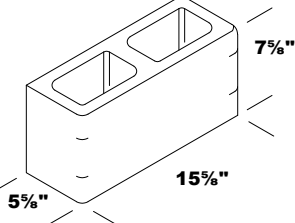
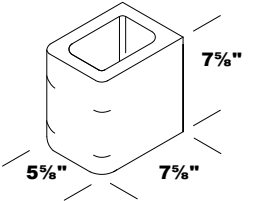


* Lead time 2 weeks
** Lead time 3 weeks

| | | | |
|--|--|--|---|
| <p>4" Regular</p>  <p>Concrete: 179-4331 Lightweight: 179-6205*</p> | <p>4" Two Qtr. / Half Block</p>  <p>Concrete: 179-6355 ** Lightweight: 179-6393 **</p> | <p>4" Three Quarter</p>  <p>Concrete: 179-6356 **</p> | <p>4" 5 High (Starter)</p>  <p>Concrete: 179-6357 **</p> |
| <p>4" Half High</p>  <p>Concrete: 179-6358 **</p> | <p>4" Half High Solid</p>  <p>Concrete : 179-6360 **</p> | <p>4" Solid</p>  <p>Concrete: 179-4344 Lightweight: 179-6214*</p> | <p>4" L - Corner</p>  <p>Concrete: 179-6202 * Lightweight: 179-6212 *</p> |
| <p>4" Single Bullnose</p>  <p>Concrete: 179-6210 * Lightweight: 179-6211 *</p> | <p>4" Two Qtr. / Half Block Single Bullnose</p>  <p>Concrete: 179-6217 **</p> | <p>4" Double Bullnose End</p>  <p>Concrete: 179-6207 * Lightweight: 179-6206 *</p> | <p>4" Double Bullnose Face</p>  <p>Concrete: 179-6208 * Lightweight: 179-6209 *</p> |
| <p>4" Two Qtr. / Half Block Double Bullnose</p>  <p>Concrete: 179-6359 **</p> | <p>4" Solid Splitface</p>  <p>Concrete : 179-6215 * Lightweight: 179-6216 *</p> | <p>4" Full Face Split End 4x8x12</p>  <p>Concrete: 179-6203 * Lightweight: 179-6204 *</p> | <p>4" Full Face Split End 4x8x16</p>  <p>Concrete: 179-6220 * Lightweight: 179-6218 *</p> |

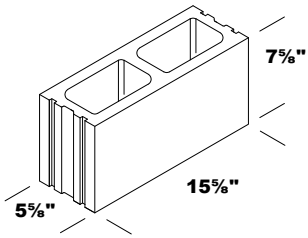
* Lead time 2 weeks
** Lead time 3 weeks

SIZE 6"

| | | | |
|---|--|--|--|
| <p>6" Regular</p>  <p>Concrete: 179-4362 Lightweight: 179-6219*</p> | <p>6" Two Qtr./Half Block</p>  <p>Concrete: 179-6228 **</p> | <p>6" 5 High (Starter)</p>  <p>Concrete: 179-6370 **</p> | <p>6" Half High</p>  <p>Concrete: 179-6371 **</p> |
| <p>6" L-Corner</p>  <p>Concrete: 179-6225 * Lightweight: 179-6226 *</p> | <p>6" Bay Block (45° Corner)</p>  <p>Concrete: 179-6372 **</p> | <p>6" Bond Beam</p>  <p>Concrete: 179-4368 * Lightweight: 179-6235 *</p> | <p>6" Knockout Bond Beam</p>  <p>Concrete: 179-6381 **</p> |
| <p>6" Utility Knockout</p>  <p>Concrete: 179-6380 ** Lightweight: 179-6376 **</p> | <p>6" Solid</p>  <p>Concrete: 179-6227 * Lightweight: 179-6233 *</p> | <p>6" Solid Top/Cap</p>  <p>Concrete: 179-4377 * Lightweight: 179-6234 *</p> | <p>6" Single Bullnose</p>  <p>Concrete: 179-6232 * Lightweight: 179-6224 *</p> |
| <p>6" Two Qtr./Half Block Single Bullnose</p>  <p>Concrete: 179-6378 **</p> | <p>6" Double Bullnose End</p>  <p>Concrete: 179-6222 * Lightweight: 179-6236 *</p> | <p>6" Double Bullnose Face</p>  <p>Concrete: 179-6377 ** Lightweight: 179-6223 **</p> | <p>6" Two Qtr./Half Block Double Bullnose</p>  <p>Concrete: 179-6230 **</p> |

* Lead time 2 weeks
** Lead time 3 weeks

6" Plain Stretcher

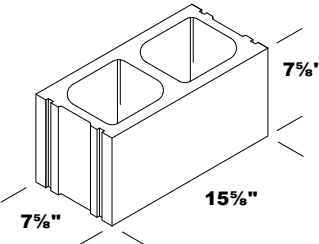
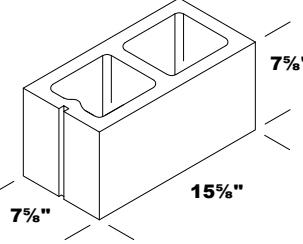
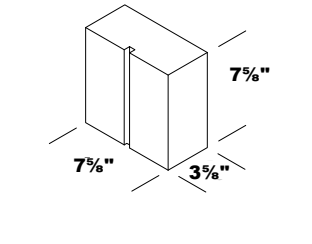
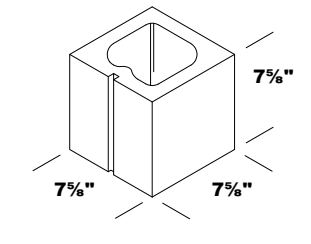
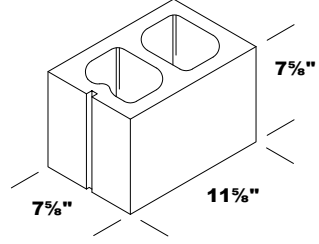
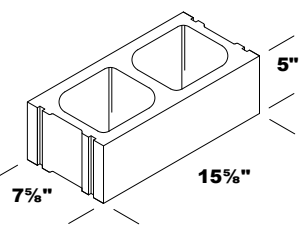
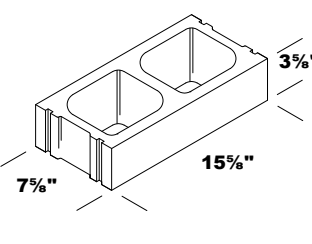
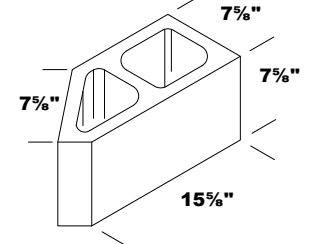
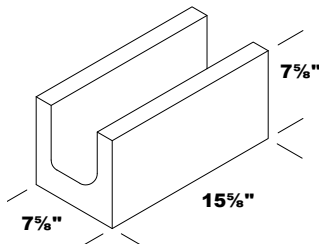
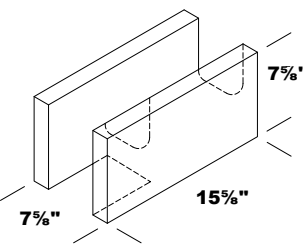
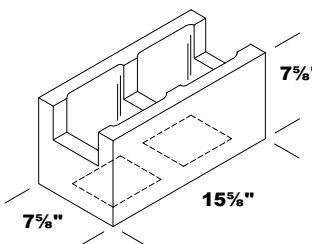
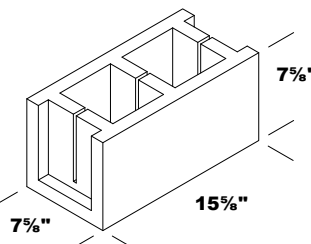
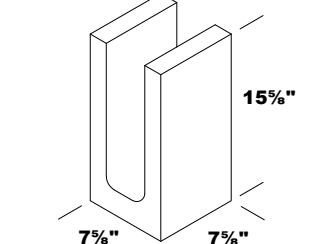
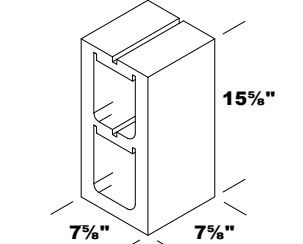
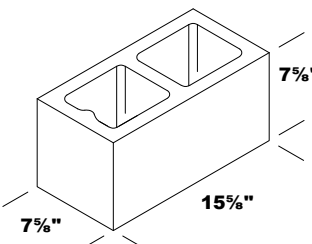
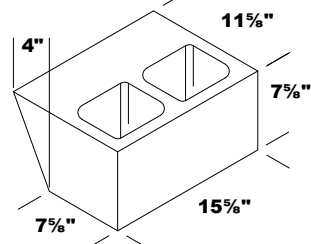


Concrete: 179-6237 *
Lightweight: 179-6231 *

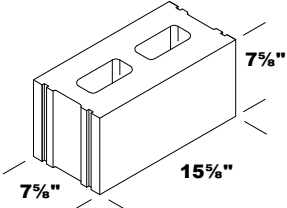
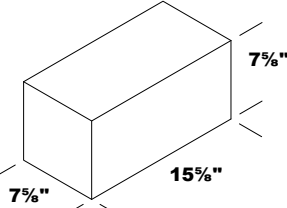
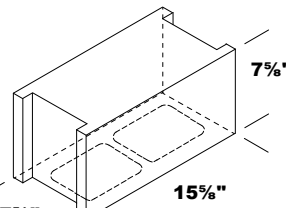
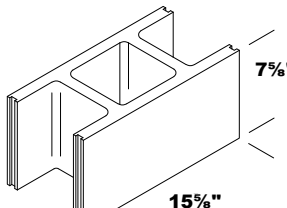
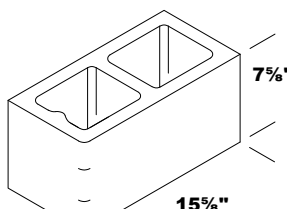
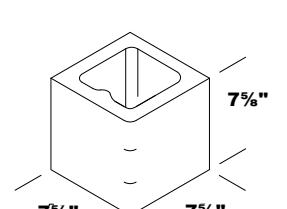
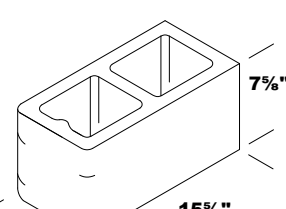
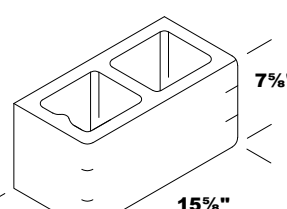
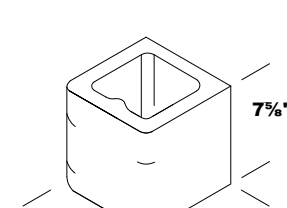
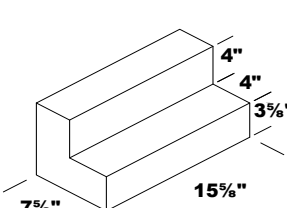
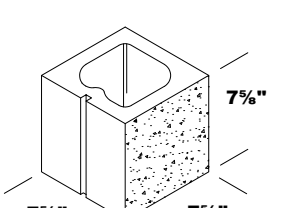
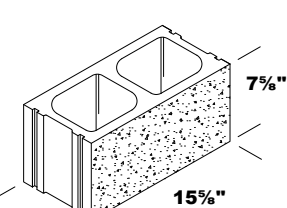
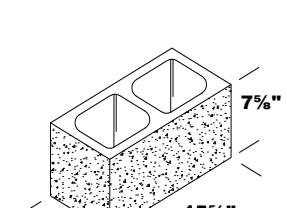
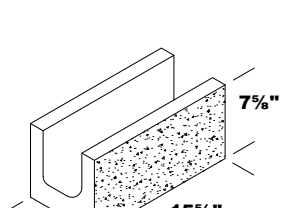
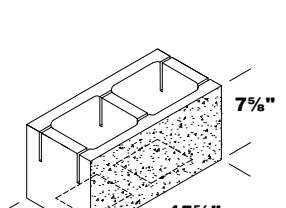


* Lead time 2 weeks
** Lead time 3 weeks

SIZE: 8"

| | | | |
|--|---|--|--|
| <p>8" Stretcher</p>  <p>Concrete: 179-4360 Lightweight: 179-6242*</p> | <p>8" Jamb Sash</p>  <p>NOTE: Stretcher and Jamb Sash block are intermixed on pallet. Ratio of Stretchers to Jamb Sash block varies from 3:1 to 4:1</p> | <p>8" One Quarter</p>  <p>Concrete: 179-6390 **</p> | <p>8" Two Qtr. /Half Block</p>  <p>Concrete: 179-4357 Lightweight: 179-6267*</p> |
| <p>8" Three Quarter</p>  <p>Concrete: 179-6391 **</p> | <p>8" 5 High (Starter)</p>  <p>Concrete: 179-6388 **</p> | <p>8" Half High</p>  <p>Concrete: 179-6389 **</p> | <p>8" Bay Block (Corner)</p>  <p>Concrete: 179-6394 **</p> |
| <p>8" Bond Beam</p>  <p>Concrete: 179-6259 * Lightweight: 179-6260 *</p> | <p>8" Flow Through Bond Beam (1 Hole)</p>  <p>Concrete: 179-6395 **</p> | <p>8" Pressed Bond Beam</p>  <p>Concrete: 179-6396 * Lightweight: 179-6246 **</p> | <p>8" FHA Special Knockout Bond Beam</p>  <p>Concrete: 179-6398 **</p> |
| <p>8" Lintel (Horsecollar)</p>  <p>Concrete: 179-6397 **</p> | <p>8" Utility Knockout</p>  <p>Concrete: 179-6239 * Lightweight: 179-6240 *</p> | <p>8" Double Flush</p>  <p>Concrete: 179-6407 **</p> | <p>8" Corbel Block</p>  <p>Concrete: 179-6400 **</p> |

* Lead time 2 weeks
** Lead time 3 weeks

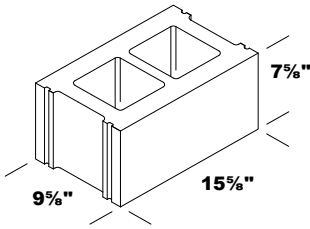
| | | | |
|--|--|---|--|
| <p>8" 60% Solid</p>  <p>Concrete (2 Hr Fire Rating): 179-6249 * Lightweight (3 Hr Fire Rating): 179-6250 *</p> | <p>8" Solid</p>  <p>Concrete (4 Hr Fire Rating): 179-6244 * Lightweight (4 Hr Fire Rating): 179-6262 *</p> | <p>8" Solid Top/Cap</p>  <p>Concrete:179-4378 * Lightweight:179-6245 *</p> | <p>8" Open Cell</p>  <p>Concrete: 179-6404 **</p> |
| <p>8" Single Bullnose</p>  <p>Concrete: 179-4372 * Lightweight: 179-6255 *</p> | <p>8" Two Qtr./Half Block Single Bullnose</p>  <p>Concrete: 179-4375 * Lightweight: 179-6269 *</p> | <p>8" Double Bullnose End</p>  <p>Concrete: 179-4373 * Lightweight: 179-6251 *</p> | <p>8" Double Bullnose Face</p>  <p>Concrete: 179-4374 * Lightweight: 179-6253 *</p> |
| <p>8" Two Qtr./Half Block Double Bullnose</p>  <p>Concrete: 179-4376 * Lightweight: 179-6268 *</p> | <p>8" Floor Slab</p>  <p>Concrete: 179-6241 * Lightweight: 179-6243 *</p> | <p>8" Splitface 8x8x8</p>  <p>Concrete Gray: 179-6130 Tan: 179-6131 Lightweight: 179-6273*</p> | <p>8" Splitface</p>  <p>Concrete Gray: 179-6100 Tan: 179-6110 Lightweight: 179-6264*</p> |
| <p>8" Splitface Corner</p>  <p>Concrete Gray: 179-6120 Tan: 179-6121 Lightweight: 179-6252*</p> | <p>8" Splitface Bond Beam</p>  <p>Concrete: 179-6140 **</p> | <p>8" Splitface Knockout Bond Beam</p>  <p>Concrete: 179-6141 **</p> | |

* Lead time 2 weeks

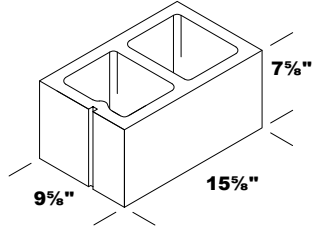
** Lead time 3 weeks

SIZE: 10"

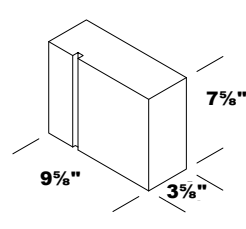
10" Stretcher & Jamb Sash 10" One Quarter 10" Two Qtr./ Half Block



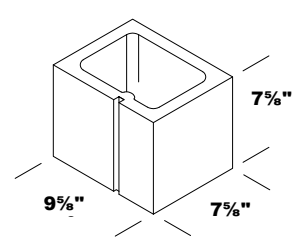
Concrete: 179-4363
Lightweight: 179-6276*



NOTE: Stretcher and Jamb Sash block are intermixed on pallet. Ratio of Stretchers to Jamb Sash block varies from 3:1 to 4:1

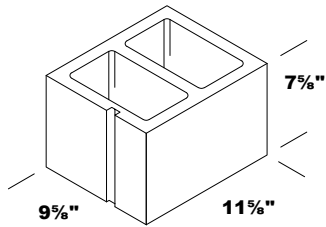


Concrete: 179-6430 **

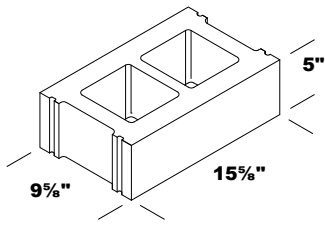


Concrete: 179-6431 **

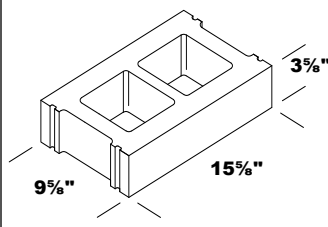
10" Three Quarter 10" 5 High (Starter) 10" Half High 10" L-Corner (Offset)



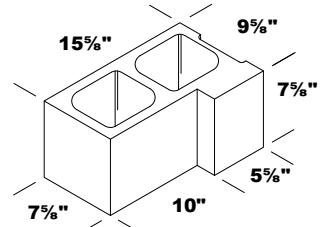
Concrete: 179-6432 **



Concrete: 179-6433 **

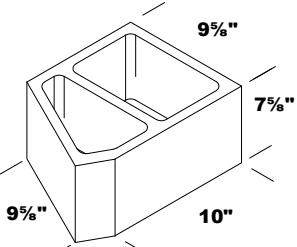


Concrete: 179-6434 **

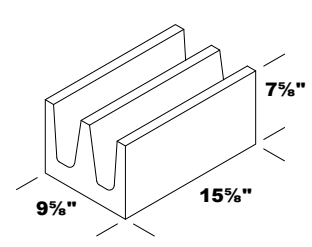


Concrete: 179-4365
Lightweight: 179-6280*

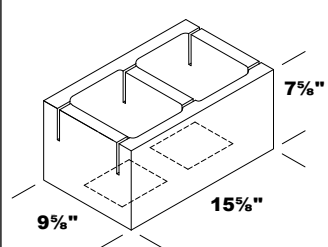
10" Bay Block (45° Corner) 10" Bond Beam 10" Knockout Bond Beam Flow Through 10" FHA Special Knockout Bond Beam



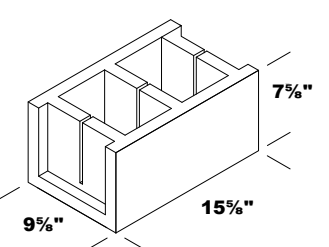
Concrete: 179-6435 **



Concrete: 179-6277 *
Lightweight: 179-6278 *

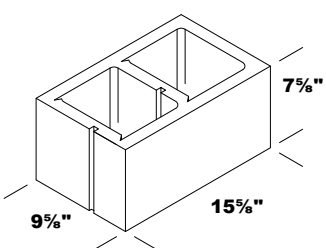


Concrete: 179-4370 *
Lightweight: 179-6279 *

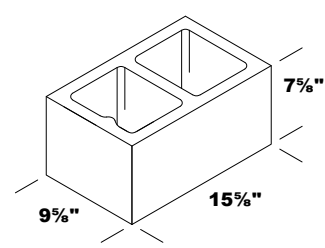


Concrete: 179-6436 **

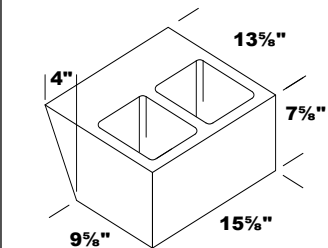
10" Utility Knockout 10" Double Flush 10" Corbel Block 10" Solid Top/Cap



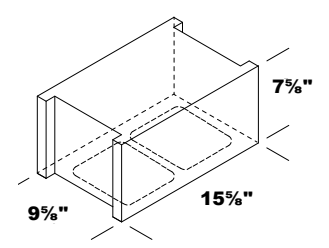
Concrete: 179-6437 **



Concrete: 179-6439 **



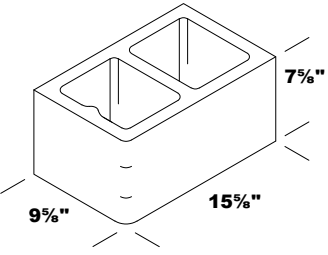
Concrete: 179-6440 **



Concrete: 179-4379 *
Lightweight: 179-6281 *

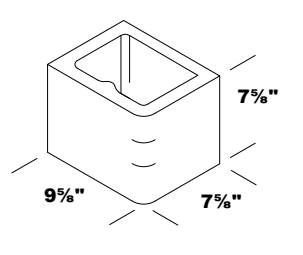
* Lead time 2 weeks
** Lead time 3 weeks

10" Single Bullnose



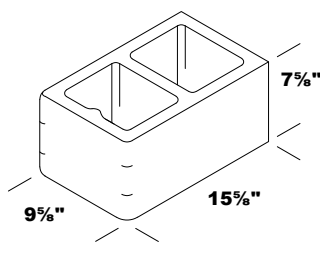
Concrete: 179-6448 **

10" Two Qtr./Half Block Single Bullnose



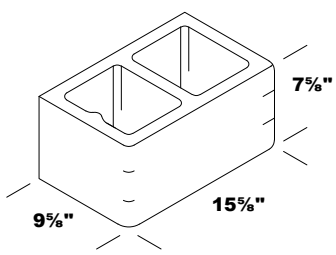
Concrete: 179-6442 **

10" Double Bullnose End



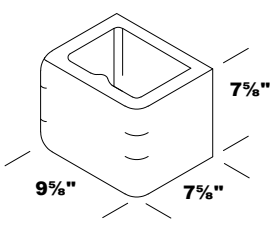
Concrete: 179-6443 **

10" Double Bullnose Face



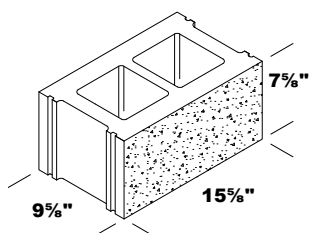
Concrete: 179-6444 **

10" Two Qtr./Half Block Double Bullnose



Concrete: 179-6445 **

10" Splitface



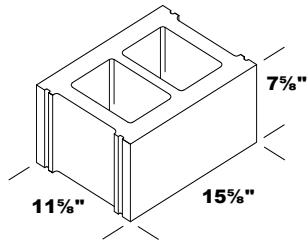
Concrete: 179-6275 *
Lightweight: 179-6274 *



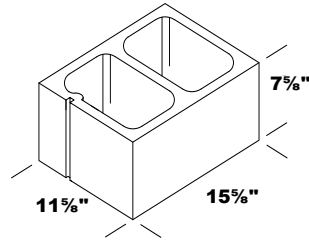
* Lead time 2 weeks
** Lead time 3 weeks

SIZE: 12"

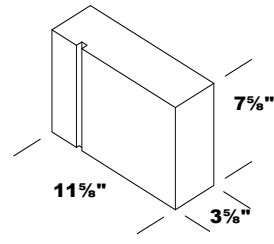
12" Stretcher & Jamb Sash **12" One Quarter** **12" Two Qtr./Half Block**



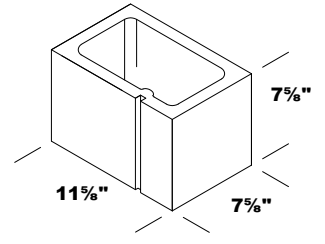
Concrete: 179-4364
Lightweight: 179-6282*



NOTE: Stretcher and Jamb Sash block are intermixed on pallet. Ratio of Stretchers to Jamb Sash block varies from 3:1 to 4:1

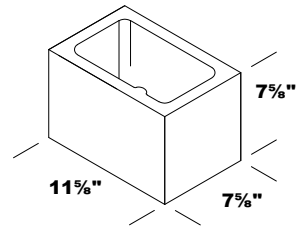


Concrete: 179-6460 **

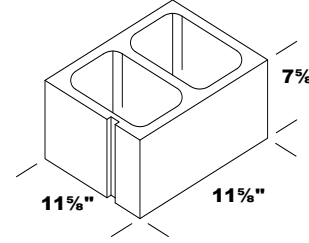


Concrete: 179-6305 **
Lightweight: 179-6482 **

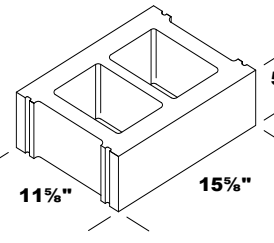
12" Two Qtr./Half Block Double Flush **12" Three Quarter** **12" 5 High (Starter)** **12" Half High**



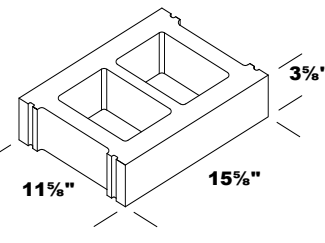
Concrete: 179-6461 **



Concrete: 179-6462 **

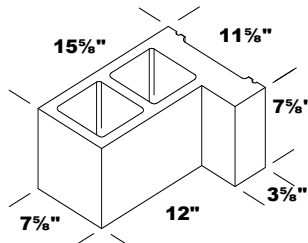


Concrete: 179-6463 **

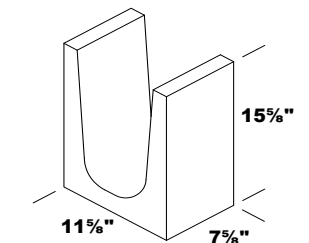


Concrete: 179-6464 **

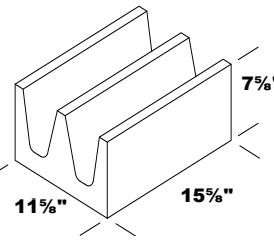
12" L - Corner (Offset) **12" Lintel (Horsecollar)** **12" Bond Beam** **12" Knockout Bond Beam Flow Through**



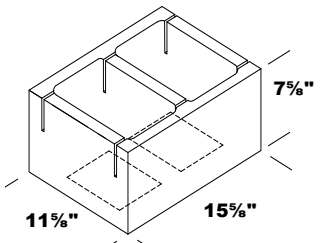
Concrete: 179-4366
Lightweight: 179-6299*



Concrete: 179-6466 **

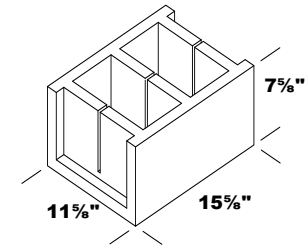


Concrete: 179-6284 *
Lightweight: 179-6285 *

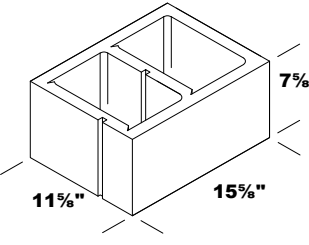


Concrete: 179-4371 *
Lightweight: 179-6295 *

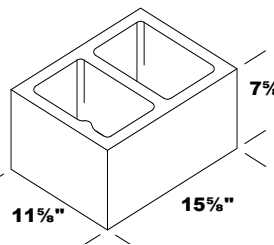
12" FHA Special Knockout Bond Beam **12" Utility Knockout** **12" Double Flush** **12" Bay Block (45° Corner)**



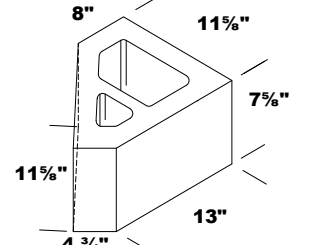
Concrete: 179-6467 **



Concrete: 179-6468 **



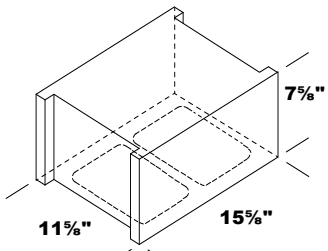
Concrete: 179-6470 **



Concrete: 179-6319 **

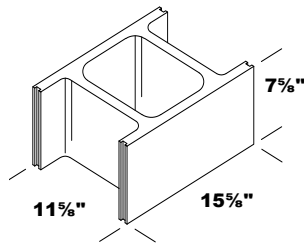
* Lead time 2 weeks
** Lead time 3 weeks

12" Solid Top/Cap



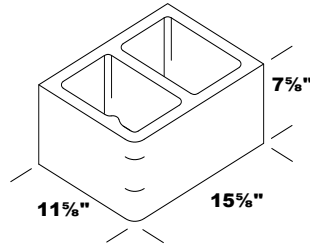
Concrete: 179-4380 *
Lightweight: 179-6283 *

12" Open Cell



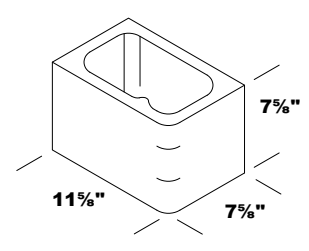
Concrete: 179-6472 **

12" Single Bullnose



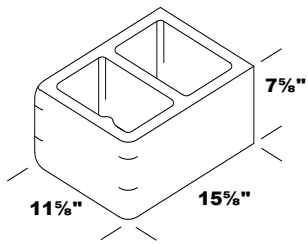
Concrete: 179-6475 **

12" Two Qtr./Half Block Single Bullnose



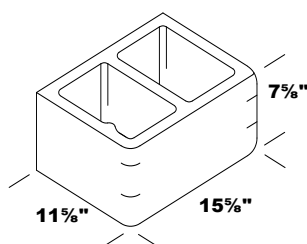
Concrete: 179-6303 **
Lightweight: 179-6304 **

12" Double Bullnose End



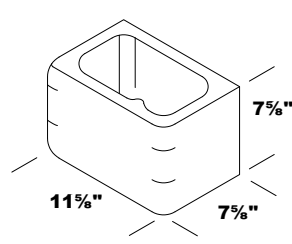
Concrete: 179-6474 **
Lightweight: 179-6286 **

12" Double Bullnose Face



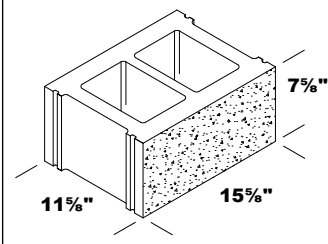
Concrete: 179-6315 **
Lightweight: 179-6287 **

12" Two Qtr./Half Block Double Bullnose



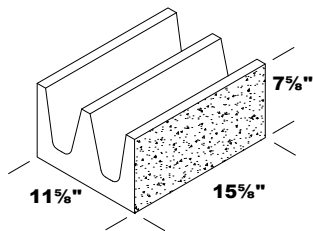
Concrete: 179-6316 **

12" Splitface



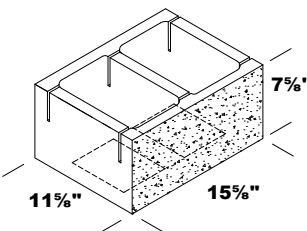
Concrete: 179-6300 *
Lightweight: 179-6301 *

12" Splitface Bond Beam



Concrete: 179-6483 **

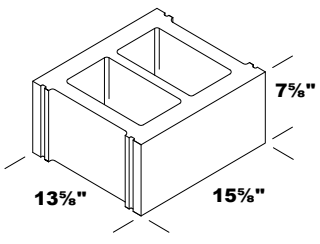
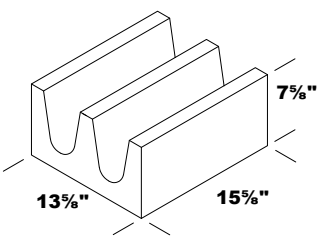
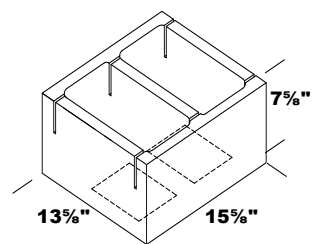
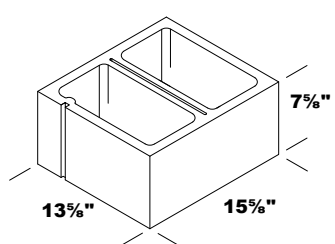
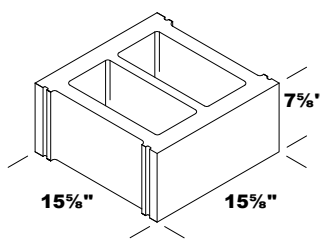
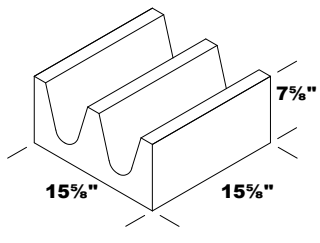
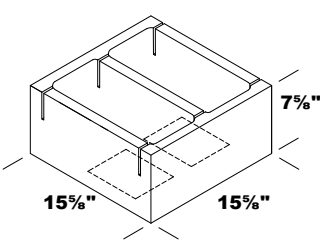
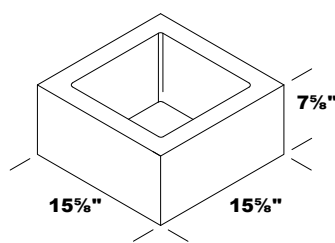
12" Splitface Knockout Bond Beam



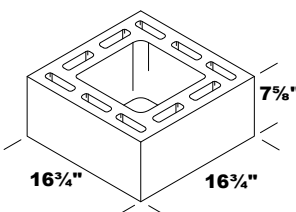
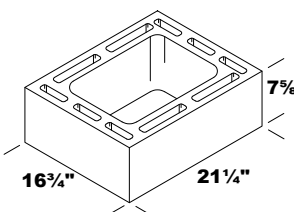
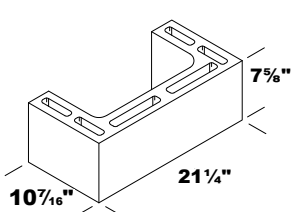
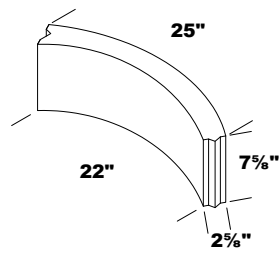
Concrete: 179-6484 **

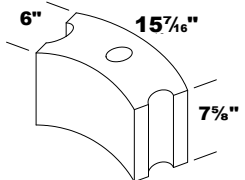
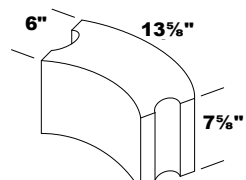
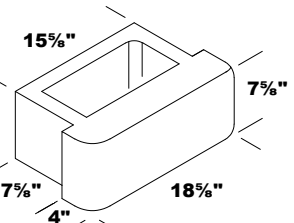
* Lead time 2 weeks
** Lead time 3 weeks

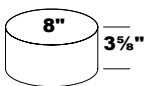
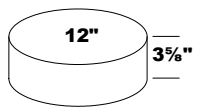
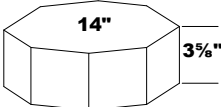
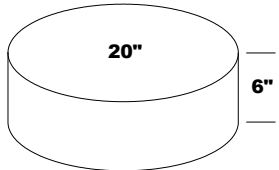
SIZES: 14 & 16"

| | | | |
|--|--|---|---|
| <p>14" Stretcher</p>  <p>Concrete: 179-6490 **</p> | <p>14" Bond Beam</p>  <p>Concrete: 179-6491 **</p> | <p>14" Knockout Bond Beam Flow Through</p>  <p>Concrete: 179-6492 **</p> | <p>14" Jamb Sash Splittable</p>  <p>Concrete: 179-6493 **</p> |
| <p>16" Stretcher</p>  <p>Concrete: 179-6510 **</p> | <p>16" Bond Beam</p>  <p>Concrete: 179-6511 **</p> | <p>16" Knockout Bond Beam Flow Through</p>  <p>Concrete: 179-6512 **</p> | <p>16" Pier Block</p>  <p>Concrete: 179-6513 **</p> |

* Lead time 2 weeks
 ** Lead time 3 weeks

| | | | |
|--|--|--|--|
| <p>Chimney Block 8x8 (Flue Size) Actual Interior Dimension: 9" x 9"</p>  <p>Sku: 179-6514 **</p> | <p>Chimney Block 8x12 (Flue Size) Actual Interior Dimension: 9" x 13"</p>  <p>Sku: 179-6515 **</p> | <p>Chimney Block (Half) 12x12 (Flue Size) Actual Interior Dimension: 13 3/4" x 13 3/4"</p>  <p>Sku: 179-6516 **</p> | <p>Dry Well Block</p>  <p>Concrete: 179-6309 *</p> |
|--|--|--|--|

| | | | |
|---|--|--|--|
| <p>Barrel/ Manhole Block</p>  <p>48" Inside Dia. = 49 lbs./12 pc. Concrete: 179-6527 **</p> | <p>Manhole Block</p>  <p>24" Inside Dia. = 42 lbs./8 pc. Concrete: 179-6526 **</p> | <p>Mac Pilaster Block</p>  <p>Concrete: 179-6537 **</p> | |
|---|--|--|--|

| | | | |
|---|--|---|---|
| <p>8" Diameter Pole Pad</p>  <p>Concrete: 179-6528 ** 14.5 lbs.</p> | <p>12" Diameter Pole Pad</p>  <p>Concrete: 179-6529 ** 35 lbs.</p> | <p>14" Diameter Pole Pad</p>  <p>Concrete: 179-4218 ** 45 lbs.</p> | <p>20" Diameter Pole Pad</p>  <p>Concrete: 179-4221 ** 174 lbs.</p> |
|---|--|---|---|

* Lead time 2 weeks
** Lead time 3 weeks



For More Information

- How To Videos
- Project Ideas
- ASTM Specs
- Engineering
- Online Tools

www.midwestmanufacturing.com

Made in the USA

Available at
MENARDS